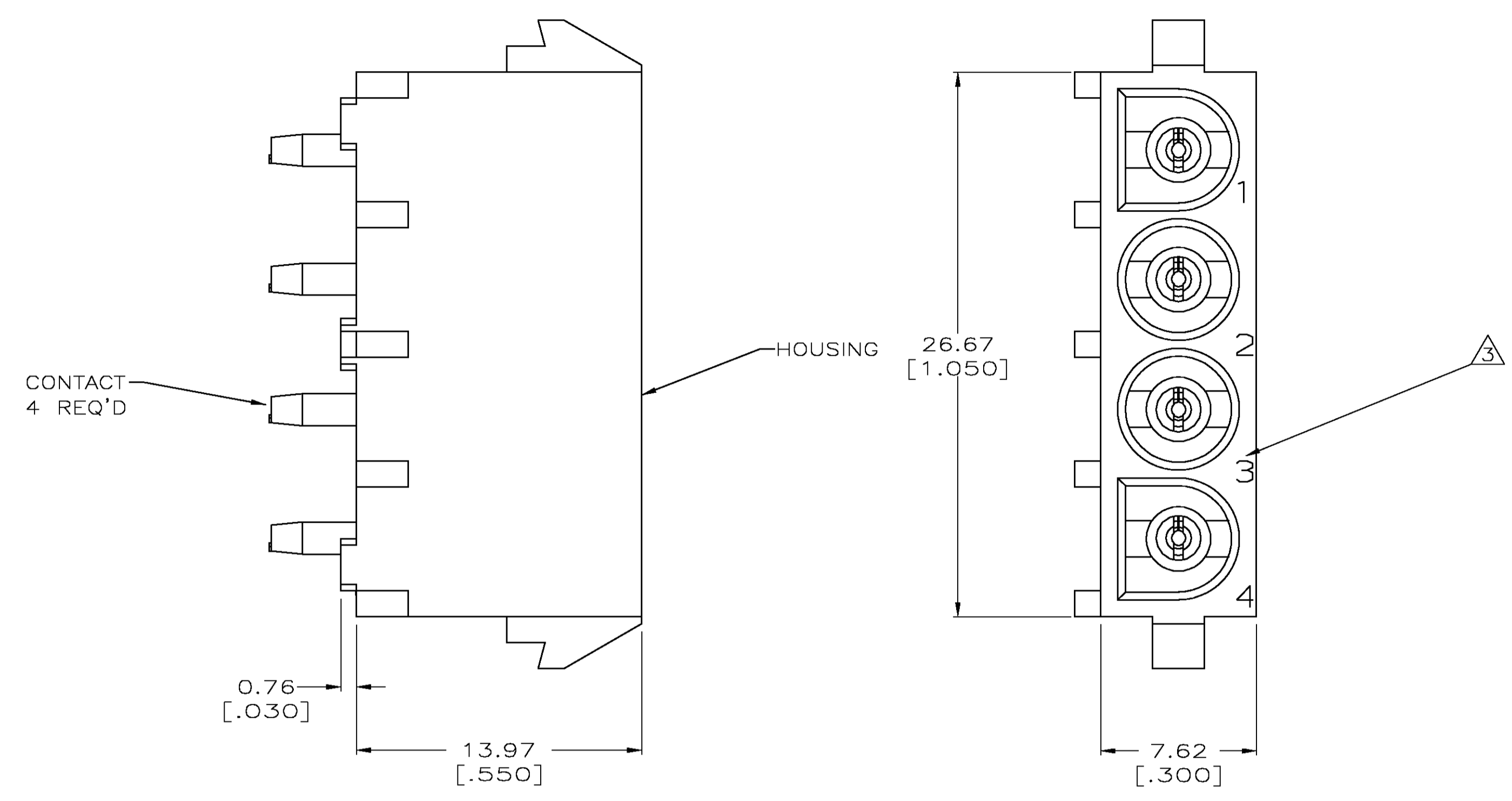
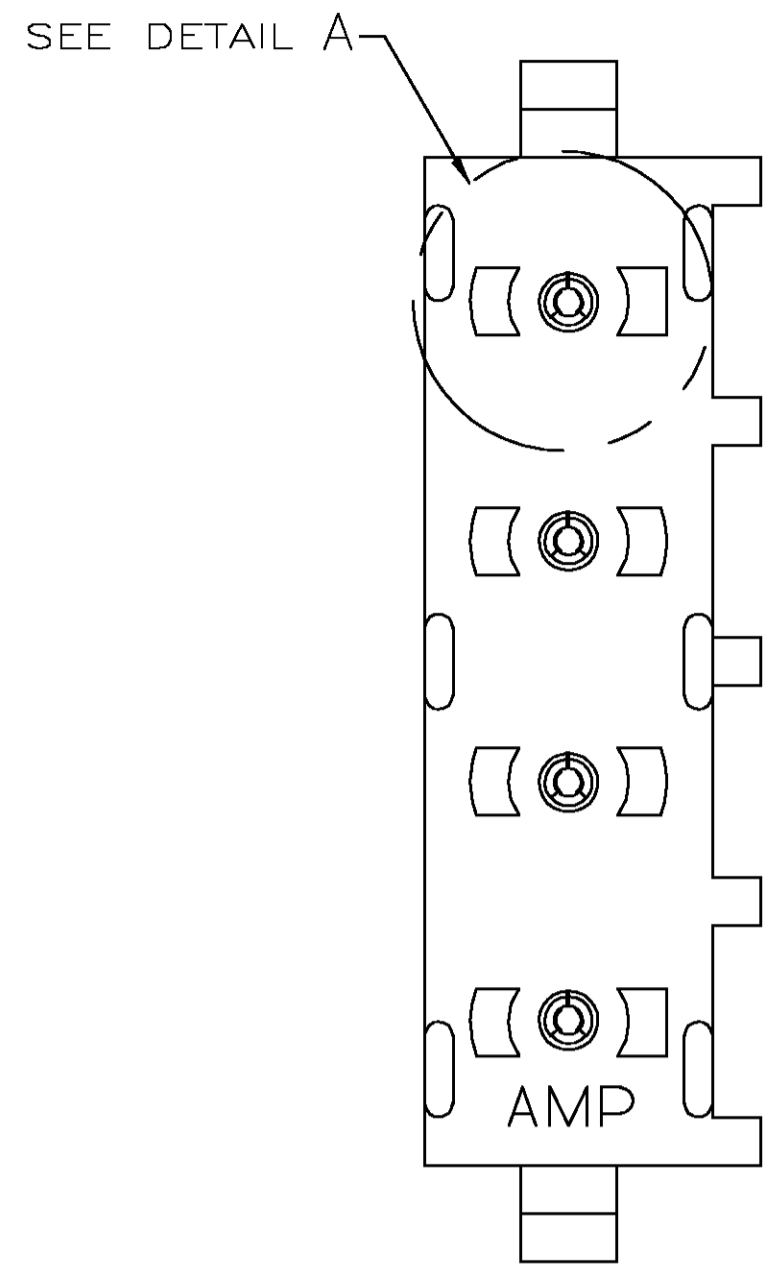
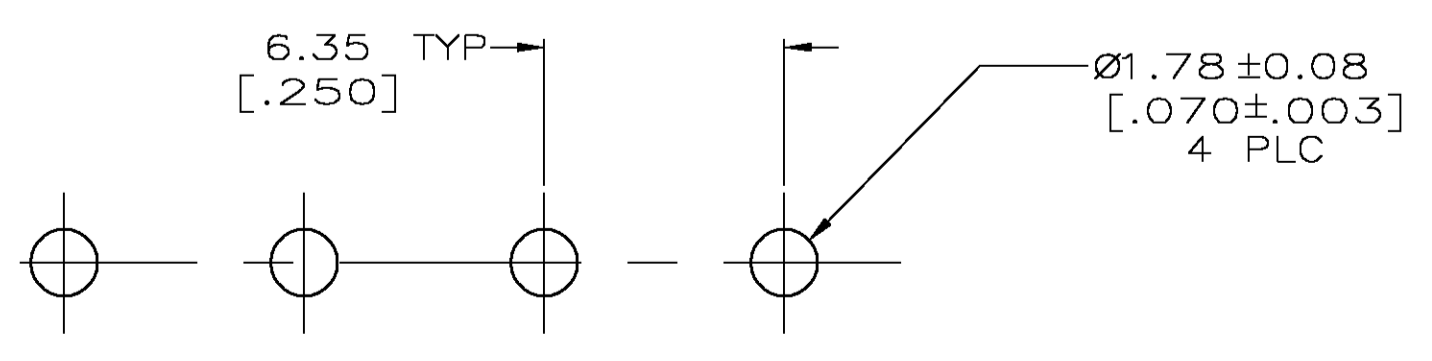
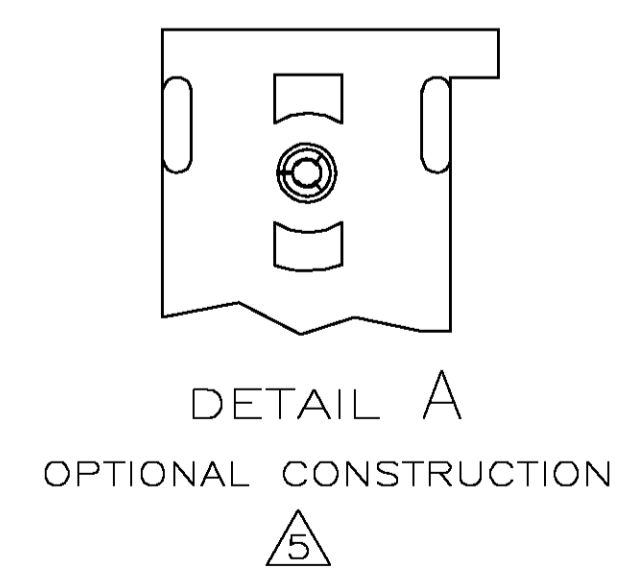
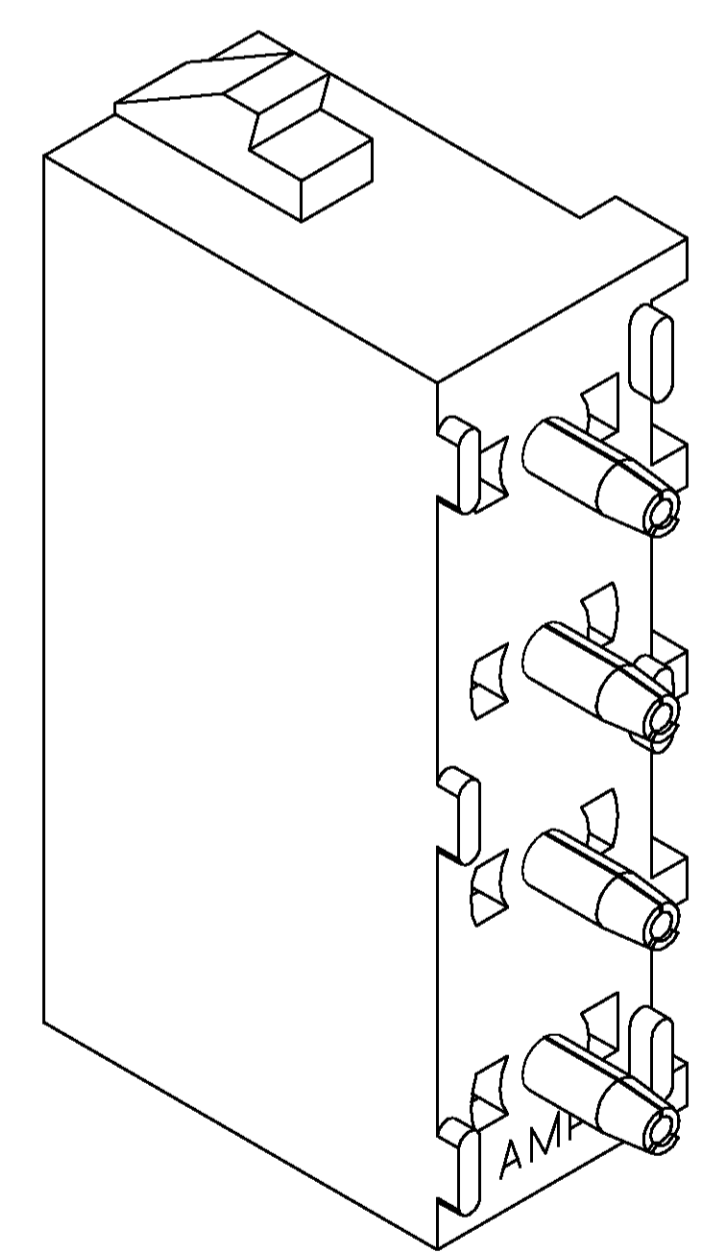
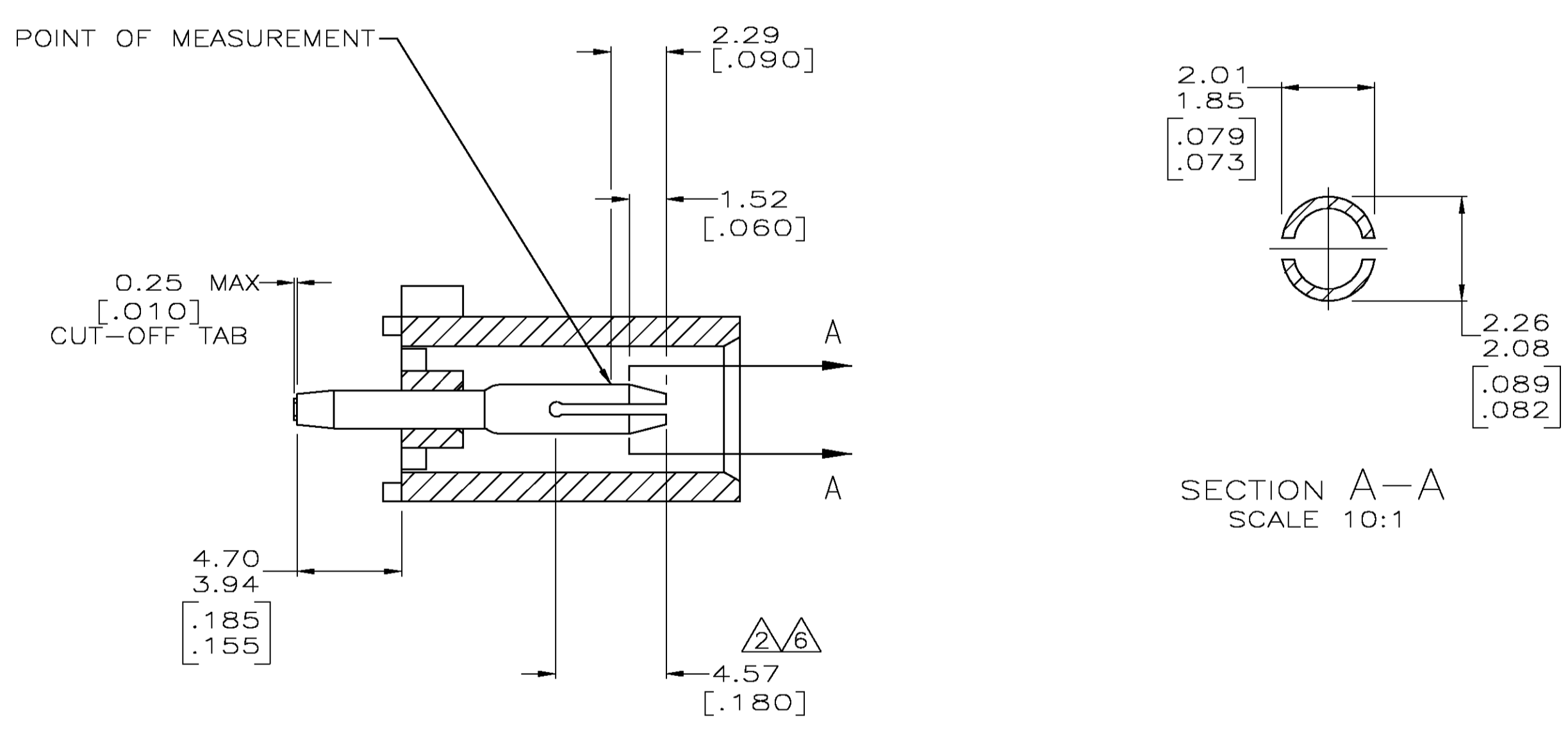


LOC		DIST		REVISIONS			
P	LR	DESCRIPTION	DATE	DN	APD	SR	
R		REVISED PER EC 063B-1094-04	18JAN05	KW	SR		



- PARTS COMPLY TO AMP SOLDERABILITY SPECIFICATION 109-11-3.
- CONTACT IS PLATED OVERALL WITH 0.00127 [.000050] NICKEL, THEN 0.00076 [.000030] GOLD OVER CONTACT LENGTH INDICATED AND MATTE TIN LEAD ON SOLDER TAIL END.
- CIRCUIT IDENTIFICATION CHARACTERS ARE ADJACENT TO THE INDICATED CAVITIES, BUT LOCATION AND ORIENTATION MAY DIFFER FROM PRINT.
- DIMENSIONS IN BRACKETS ARE IN INCHES.
- DRAIN HOLES LOCATED AS SHOWN. OPTIONAL CONSTRUCTION - ALL DRAIN HOLES LOCATED 90° AS SHOWN IN DETAIL A.
- CONTACT IS PLATED OVERALL WITH 0.00127 [.000050] NICKEL, THEN 0.00076 [.000030] GOLD OVER CONTACT LENGTH INDICATED AND MATTE TIN ON SOLDER TAIL END.



RECOMMENDED MOUNTING HOLE PATTERN FOR 1.52 [.062] THICK P.C. BOARD

PHOSPHOR BRONZE, GOLD	NYLON, UL94V-0, WHITE	350792-3
PHOSPHOR BRONZE, GOLD	NYLON, UL94V-0, WHITE	350792-2
PHOSPHOR BRONZE, PRE-TIN	NYLON, UL94V-0, WHITE	350792-1
PIN CONTACT AND FINISH	HOUSING MATERIAL	PART NUMBER

METRIC

THIS DRAWING IS A CONTROLLED DOCUMENT.		DN B LEWIS 10-05-98	Tyco Electronics Corporation Greensboro, NC 27409
DIMENSIONS: mm [INCHES]		CHK R SWING 10-05-98	
TOLERANCES UNLESS OTHERWISE SPECIFIED:		APVD M TRULL 10-05-98	NAME: PIN HEADER ASSEMBLY, 4 CIRCUIT UNIVERSAL MATE-N-LOK™
0 PLC ± -		PRODUCT SPEC	
1 PLC ± -		APPLICATION SPEC	SIZE: A1
2 PLC ± 0.13 [.005]		WEIGHT	SCALE: 5:1
3 PLC ± -		CUSTOMER DRAWING	SHEET 1 OF 1
4 PLC ± -		RESTRICTED TO	REV R
ANGLES ± - 0° 30'			
FINISH: SEE TABLE			
MATERIAL: SEE TABLE			